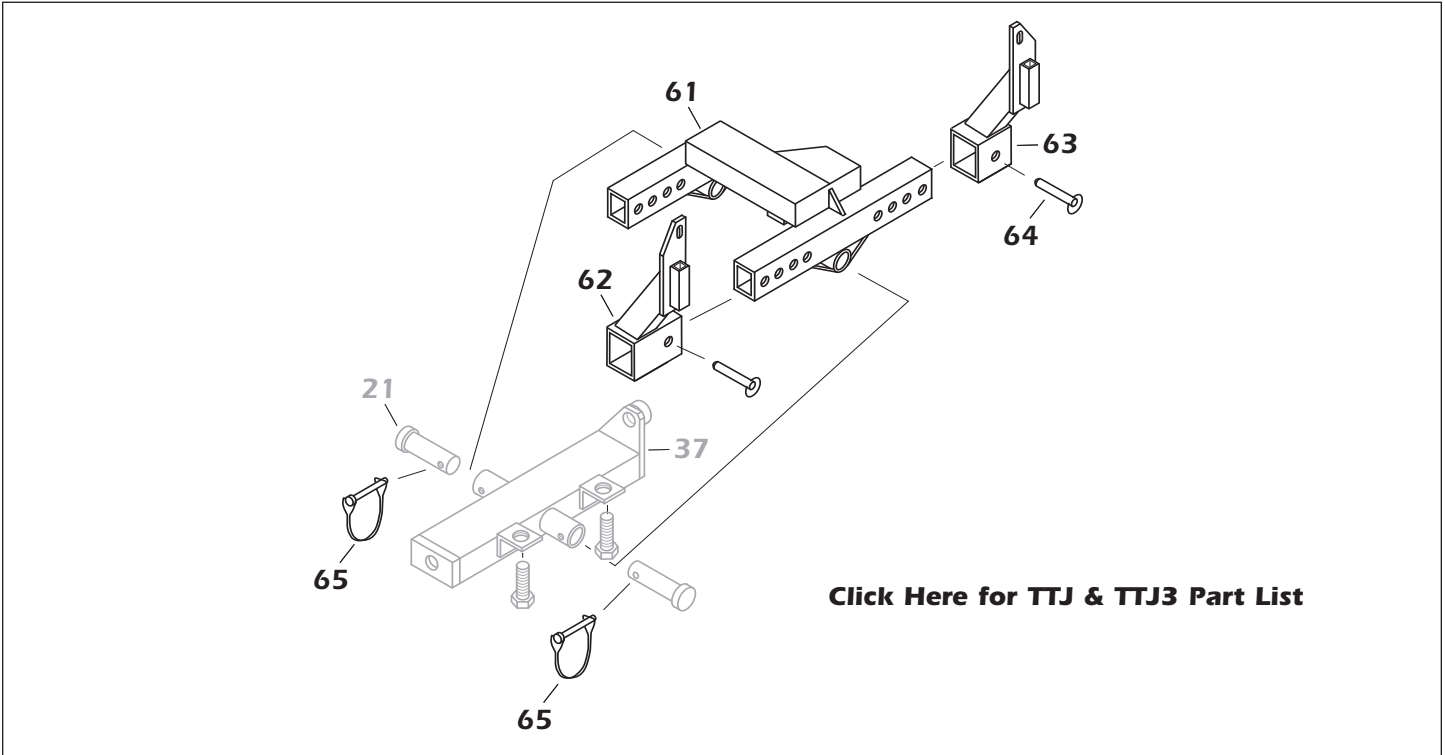


TTJ-Z1FA Lifting Saddle Assembly

Parts List and Assembly

June 25, 2004



Parts List

No.	Part No.	Description	#/Units
61.	TTJ-Z1F	Side Tilt Saddle	1
62.	TTJ-Z1R	Right Stabilizer Arm	1
63.	TTJ-Z1L	Left Stabilizer Arm	1
64.	6870	Cotterless Hitch Pin	2
65.	6880	Safety Snap Pin	2

Installation Instructions

Now your TTJ3 Transmission Jack can be configured with either the standard TTJ-F Saddle support or the optional TTJ-Z1FA Lifting Saddle within a couple of minutes. Never attach this Lifting Saddle Assembly to the TTJ, or to any other product besides the TTJ3

1. Remove the two (2) 6960 1/4" x 1-1/2" Spring Pin #42 (not shown) from the the TTJ-G Saddle Support #37.
2. Pull the two TTJ-60 Saddle Pins #21, and remove the TTJ-F Side Tilt Saddle #16 (not shown).
3. Now align the holes of the TTJ -Z1F Side Tilt Saddle #61 with the holes of the TTJ-G Saddle Support #37, replace the two TTJ-60 Saddle Pins #21 and two 6880 Safety Snap Pins #65 to secure the TTJ-Z1F Side Tilt Saddle to the TTJ-G Saddle Support. Make sure the longest 2" square tube arm that the #62 and #63 Stabilizer Arms slide on, is towards the back portion of the TTJ3 Transmission Jack (pump and arm anchor end) while the shorter 2" square tube is towards the front open end of the TTJ3 Jack.
4. If there's any questions about the change-over procedures, please call for tech support at 800.253.2076 or 269.467.6302